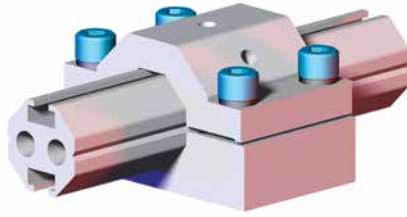


TPM-30 30mm Accessory Mounting Bracket



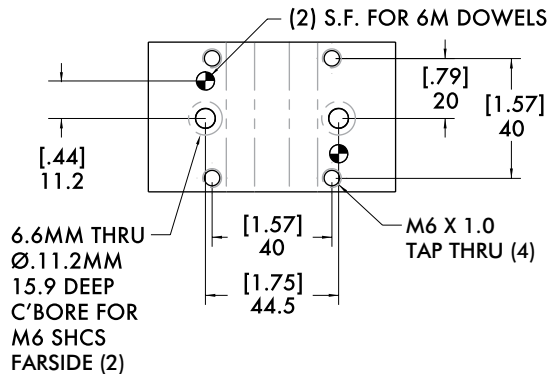
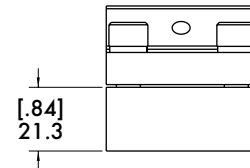
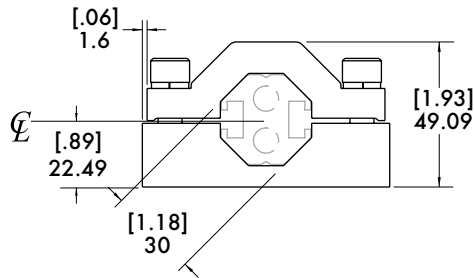
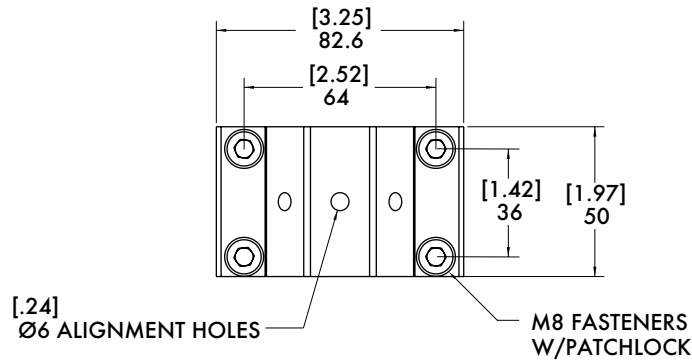
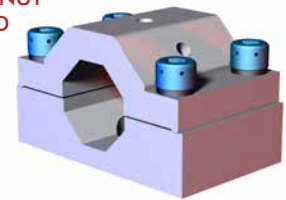
Specifications:

Max. Static Clamp Load:
271 Nm [200 ft-lb]

Material: Aluminum

Features:

- Provides a secure attachment point for clamps and pin locators.



Model Number	Weight
TPM-30	.36 kg [.80 lb]

BODYBUILDER™ ACCESSORY MOUNTS



BodyBuilder™ Octagonal Tooling | Dimensions | Technical Specifications

TPM(S)-45 45mm Accessory Mounting Bracket

Features:

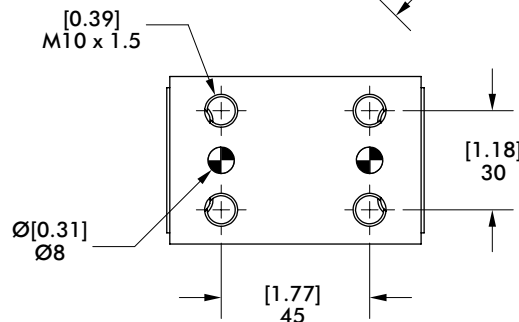
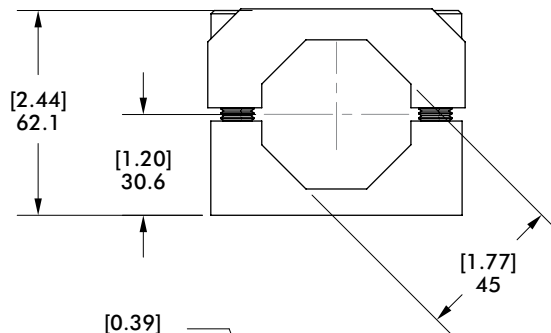
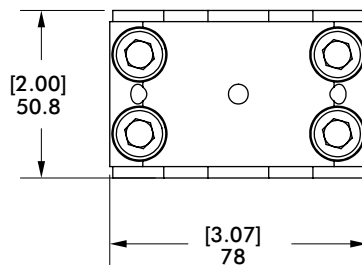
- Provides a secure attachment point for clamps and pin locators.
- Standard NAAMS mounting patterns.

Specifications:

Max. Static Clamp Load:
475 Nm [350 ft-lb]

Material:

TPMS-45: Steel
TPM-45: Aluminum



Model Number	Weight
TPM-45 (Aluminum)	.48 kg [1.28 lb]
TPMS-45 (Steel)	1.10 kg [2.90 lb]

TPMS-60 60mm Accessory Mounting Bracket.



Specifications:

Max. Static Clamp Load:

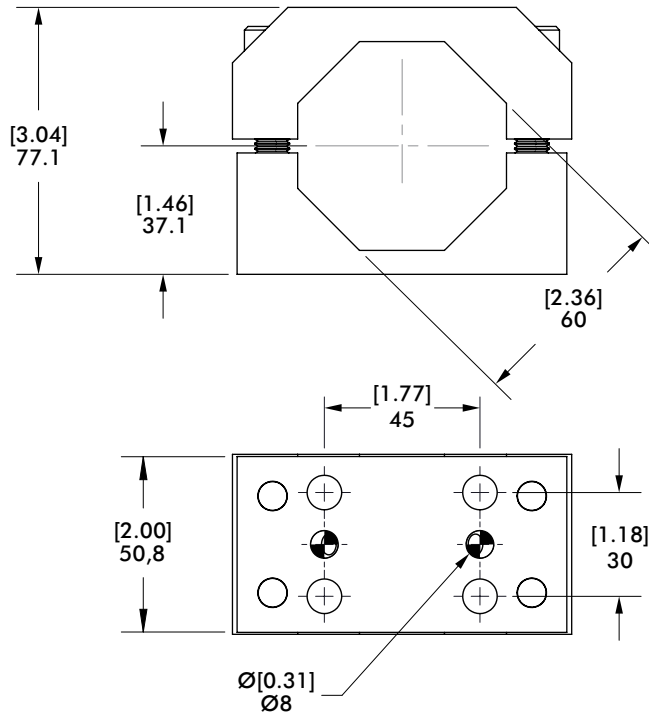
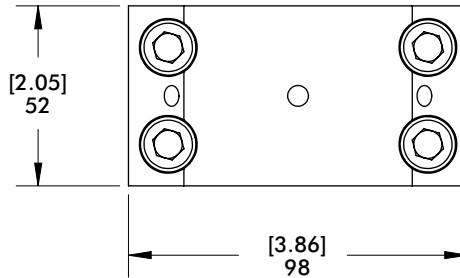
746 Nm [550 ft-lb]

Material: Steel

Features:

- Provides a secure attachment point for clamps and pin locators.
- Standard NAAMS mounting patterns.

ALIGNMENT NUT INCLUDED



Model Number	Weight
TPMS-60	1.3 kg [2.90 lb]

BODYBUILDER™ ACCESSORY MOUNTS



BodyBuilder™ Octagonal Tooling | Dimensions | Technical Specifications

TPMS-90 90mm Accessory Mounting Bracket

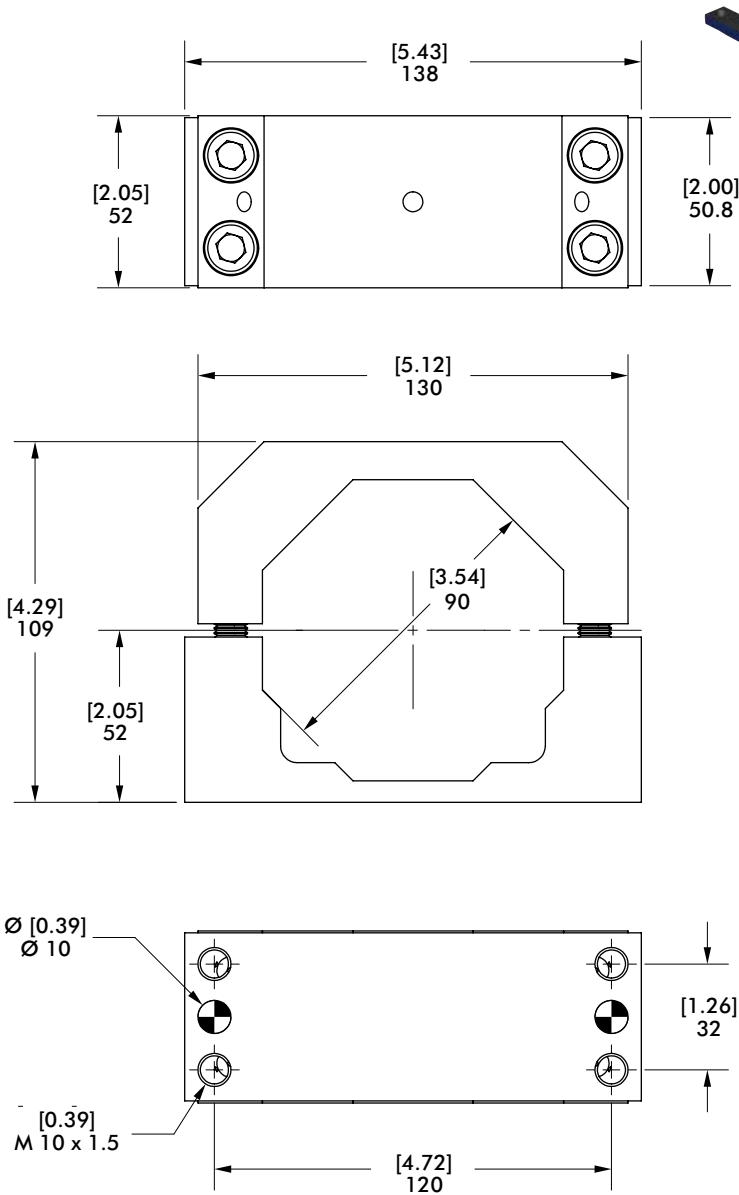
Features:

- Provides a secure attachment point for clamps and pin locators.

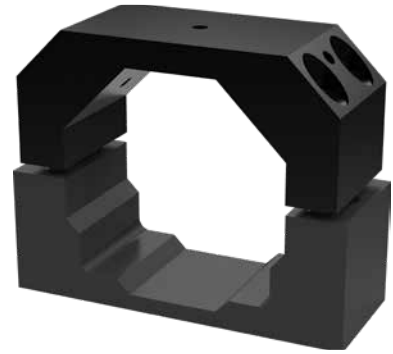
Specifications:

Max. Static Clamp Load:
746 Nm [550 ft-lb]

Material: Steel



ALIGNMENT NUT INCLUDED



Model Number	Weight
TPMS-90	1.93kg [4.25lb]